

# TEJO<sup>®</sup>



## SINGLE-STAGE COMPONENT CLEANING MACHINES C-800SS...C-2600SS

For efficient cleaning



# Why use a water-based cleaning method?

Requirements for speed and efficiency as well as increasingly stringent environmental regulations have led to a situation where it is worth making the transition from solvent cleaning to safer water-based cleaning methods. Alkaline cleaning using a TEIJO cleaning machine is an efficient and economical method.

## Component cleaning machines

The TEIJO cleaning machines clean components automatically in a cleaning chamber where rotating spray piping sprays hot washing fluid onto the components being washed.

### MACHINE COMPONENTS:

- CLEANING CHAMBER
- ROTATING SPRAY PIPES
- PUMP
- HEATING SYSTEM
- FILTER SYSTEM
- LEVEL MONITORING
- CLEANING CRADLE AND GRID PLATFORM
- SWITCHGEAR WITH OPERATING SWITCHES

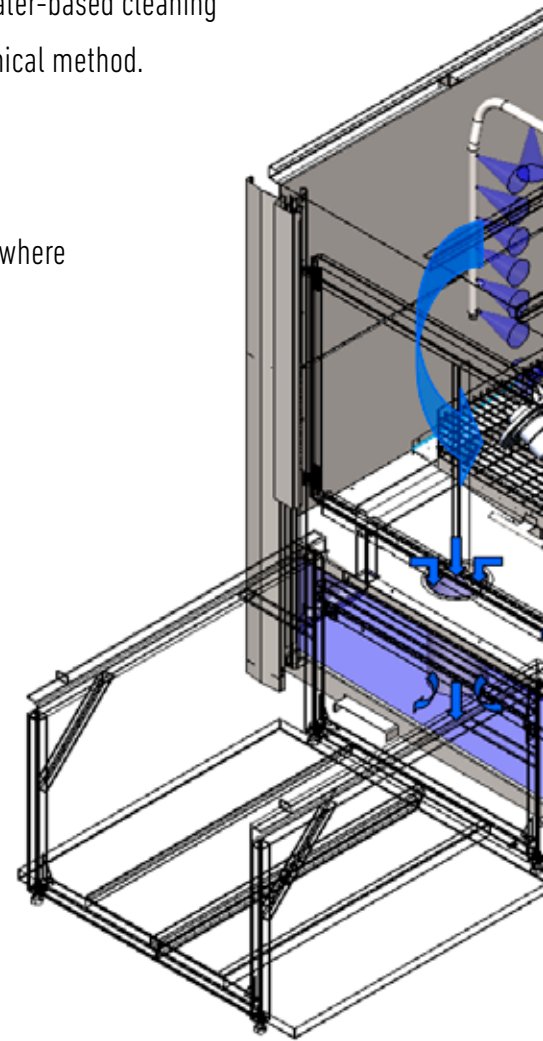
## Closed fluid circulation

TEIJO cleaning machines circulate the washing fluid (water and 2–5% alkaline cleaning agent) in a closed system, filter it and reuse it. The maximum temperature of the washing fluid is +80 °C. The service life of the fluid depends on the application. It is impacted by the cleaning machine's use rate and the dirtiness of the components being washed, the oil coming off the components in particular.

## Applications

This machine type is suitable for component cleaning, for example, at

- CAR AND LORRY REPAIR SHOPS
- ENGINE MACHINING SHOPS
- CAR ELECTRICS REPAIR SHOPS
- VOCATIONAL EDUCATION INSTITUTIONS
- INDUSTRIAL REPAIR SHOPS
- PUMP REPAIR SHOPS
- ELECTRIC MOTOR REPAIR SHOPS

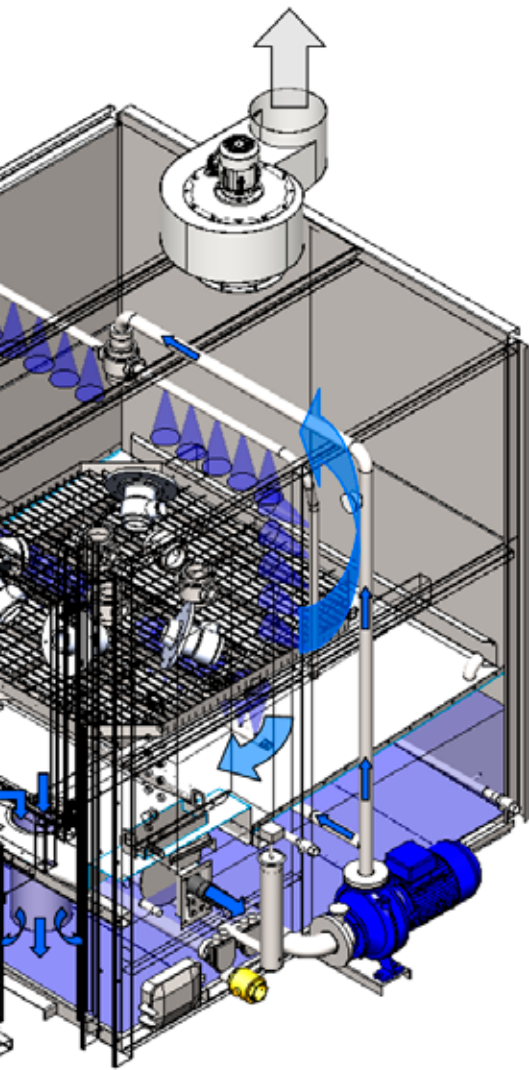


In engineering industry manufacture, these machines are used for

- COMPONENT CLEANING BEFORE WELDING
- REMOVING ANTI-CORROSIVE AGENTS BEFORE MACHINING
- CLEANING MACHINED COMPONENTS
- MAINTENANCE

## Why TEIJO®?

- EXCELLENT CLEANING RESULT
- CLEANING IN A CLOSED CHAMBER
- ROTATING SPRAY PIPES
- LARGE FLUID TANK
- SHORT HEATING TIME
- RELIABLE AND EASY-TO-USE
- MINIMUM MAINTENANCE
- THERMALLY INSULATED STRUCTURE



## Standard equipment

- HINGED DOOR OR PNEUMATIC LIFTING DOOR
- ROTATING SPRAY PIPES
- CLEANING CRADLE AND GRID PLATFORM
- SHUT-OFF VALVE ON THE PUMP'S SUCTION SIDE
- FILTER BASKET
- LEVEL SENSOR
- CLEANING DOOR AND DRAIN VALVE
- STEAM EXTRACTOR
- SWITCHGEAR WITH OPERATING SWITCHES
- PRESSURE GAUGE
- TOP SPRAY PIPE ROTATION SENSOR
- TANK BOTTOM FLUSH PIPING (EXCL. C-800SS)
- TIMER FOR HEATING AND OIL SEPARATOR
- ADJUSTABLE THERMOSTAT CONTROLLED TEMPERATURE CONTROL

## Product range

The TEIJO product range includes practically all types of spray cleaning machines.

In addition to the single-stage component cleaning machines, the product range comprises

- MULTI-STAGE CLEANING MACHINES FOR MORE DEMANDING APPLICATIONS AND PHOSPHATING
- TUNNEL CLEANING MACHINES WITH A CHAIN, WIRE-MESH OR SUSPENSION CONVEYOR
- SPECIAL CLEANING MACHINES TO BE INTEGRATED INTO AUTOMATIC MACHINING LINES
- CLEANING MACHINES MANUFACTURED ACCORDING TO CUSTOMER REQUIREMENTS

## TEIJO® - economical

- EFFICIENT FILTERING EXTENDS THE SERVICE LIFE OF THE WASHING FLUID
- GOOD INSULATION REDUCES HEAT LOSS
- DETERGENT COSTS ARE LOW
- THE PUMP'S SHUT-OFF VALVE ENABLES PERFORMING MAINTENANCE WITHOUT DRAINING THE FLUID TANK

## TEIJO® - safe and eco-friendly

- THE CLOSED CIRCULATION OF CLEANING LIQUID IS SAFE AND ECO-FRIENDLY
- THE CLOSED WASHING CHAMBER AND EFFICIENT STEAM REMOVAL (ACCESSORY) PREVENT STEAM FROM ESCAPING INTO THE WORK ENVIRONMENT
- MOST ALKALINE DETERGENTS ARE BIODEGRADABLE
- THE OIL COMING OFF THE COMPONENTS BEING WASHED CAN BE SEPARATED FROM THE WASHING FLUID USING AN OIL SEPARATOR (ACCESSORY)

# Machine sizes

The product range comprises six machine sizes C-800SS...C-2600SS.

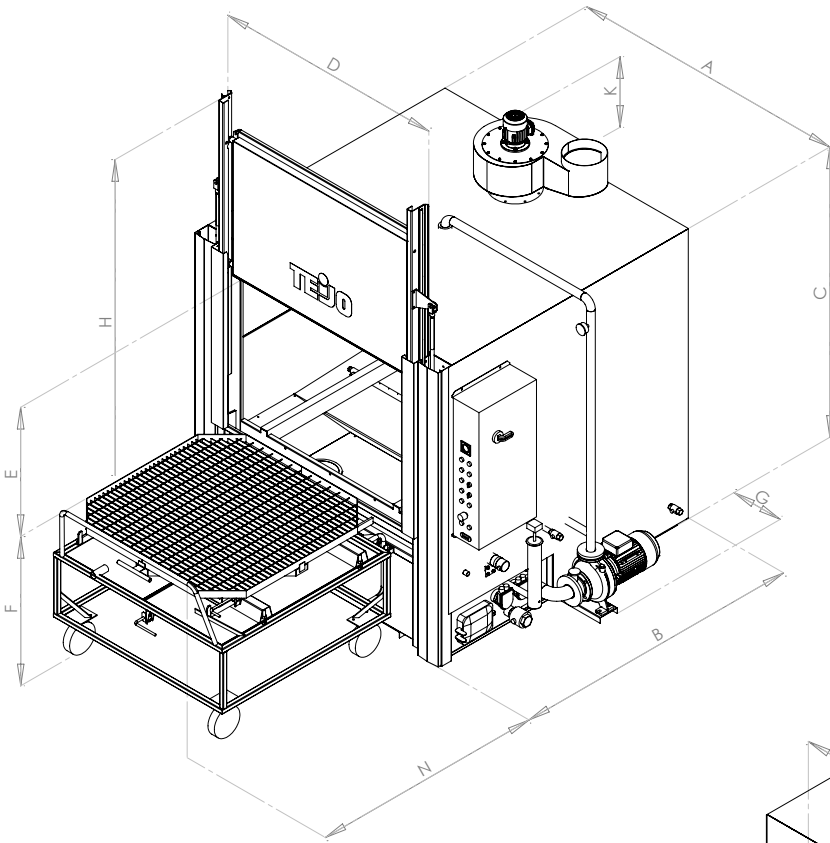
This number indicates the top spray pipe's rotational diameter in millimetres.

There are two door type options:

- the hinged door KD; machines C-800SS...C-1600SS
- the pneumatic lifting door PD-1; machines C-800SS...C-2600SS

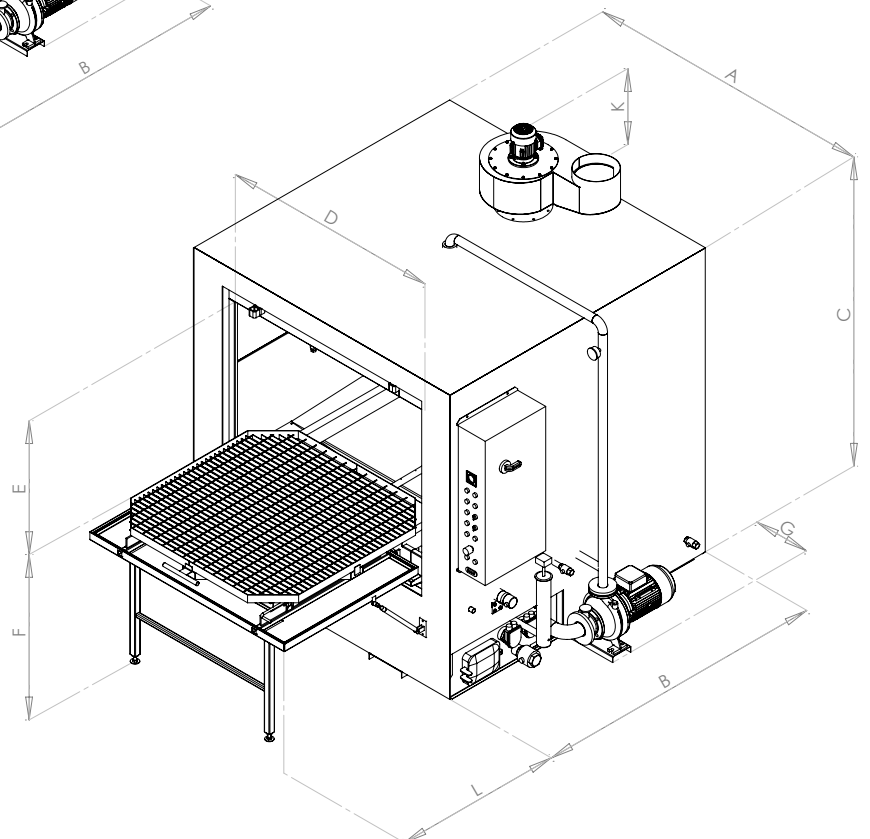
The machines equipped with the pneumatic lifting door can be equipped with either the fixed load platform (LP) or load trolley (LT).

All machines are manufactured from stainless steel.



Cleaning machine with pneumatic lifting door and load trolley C-800SS-PD1...C-2000SS-PD1

Cleaning machine with hinged door  
C-800SS-KD...C-1600SS-KD

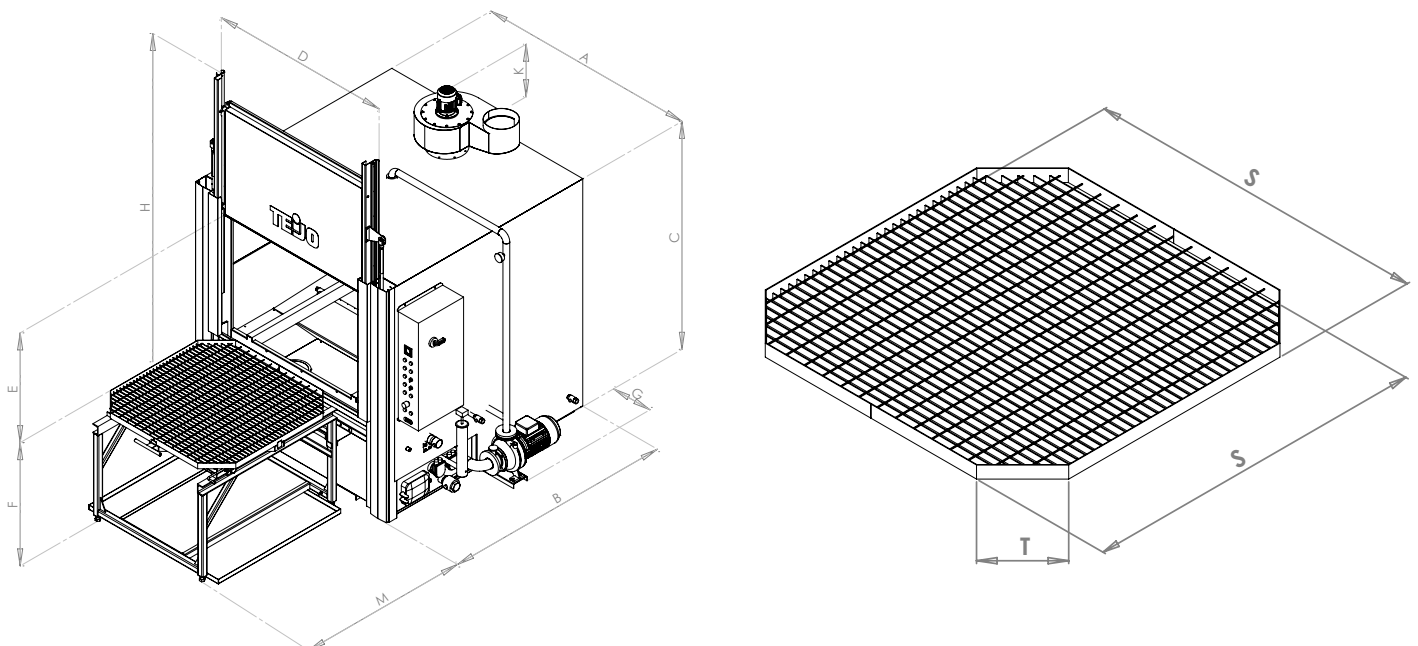


## TECHNICAL DATA

Model	Connection power kW/A	Fluid tank		Pump			Maximum dimensions of the component being cleaned		Maximum load kg	Machine weight kg
		Heating power	Volume	Flow	Pressure	Motor	Ø	Height		
C-800SS	14/25	9	350	200	400	4,0	690	550	500	400
C-1000SS	17/32	12	650	230	400	4,0	890	800	500	650
C-1000HSS	17/32	12	650	250	400	4,0	890	1200	500	750
C-1200SS	19/32	18	800	350	400	4,0	1090	700	700	750
C-1200HSS	19/32	18	800	370	400	5,5	1090	1200	700	850
C-1600SS	25/50	24	1300	380	400	5,5	1390	800	700	1000
C-1600HSS	25/50	24	1300	400	450	7,5	1390	1200	700	1100
C-2000SS	37/63	36	1900	430	450	7,5	1790	800	1000	1300
C-2000HSS	37/63	36	1900	450	450	7,5	1790	1200	1000	1500
C-2600SS	49/80	48	3100	660	450	11,0	2390	800	2500	2000
C-2600HSS	49/80	48	3100	700	450	11,0	2390	1200	2500	2200

## PRINCIPAL DIMENSIONS

Model	Width	Depth	Korkeus	Door width	Cleaning chamber height	Working-height	Width	Height	Height	KD-model length	Length	Length	Grid platform	
	A	B	C	D	E	F	G	H	K	L	M	N	S	T
C-800SS	1050	1180	1850	700	550	800	320	2500	400	750	800	900	655	220
C-1000SS	1400	1500	2200	900	800	930	400	3050	400	1100	950	1050	870	220
C-1000HSS	1400	1500	2600	900	1200	930	400	3850	400	-	950	1050	870	220
C-1200SS	1500	1600	1850	1100	700	800	350	2900	400	950	1050	1150	950	260
C-1200HSS	1500	1600	2350	1100	1200	800	350	3650	400	-	1050	1150	950	260
C-1600SS	1900	2000	2200	1400	800	930	400	3050	400	1100	1350	1550	1250	260
C-1600HSS	1900	2000	2600	1400	1200	930	400	3850	400	-	1350	1550	1250	260
C-2000SS	2300	2415	2200	1800	800	930	400	3050	400	-	1650	1800	1550	300
C-2000HSS	2300	2415	2600	1800	1200	930	400	3850	400	-	1650	1800	1550	300
C-2600SS	2900	3000	2200	2400	800	930	400	3050	550	-	2200	-	2050	500
C-2600HSS	2900	3000	2600	2400	1200	930	400	3850	550	-	2200	-	2050	500

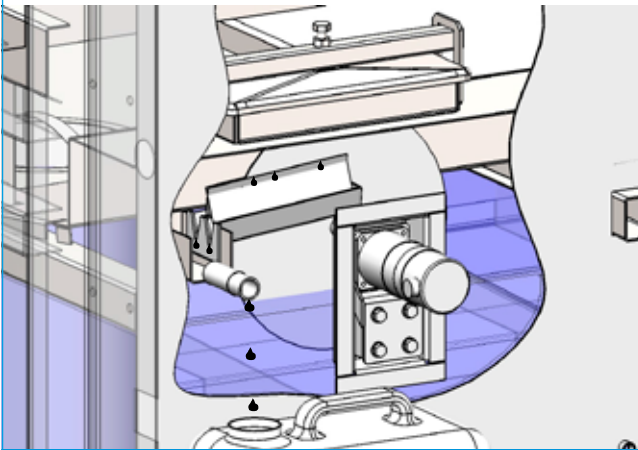


Cleaning machine with pneumatic lifting door and load platform C-800SS-PD1...C-2600SS-PD1

## ACCESSORIES

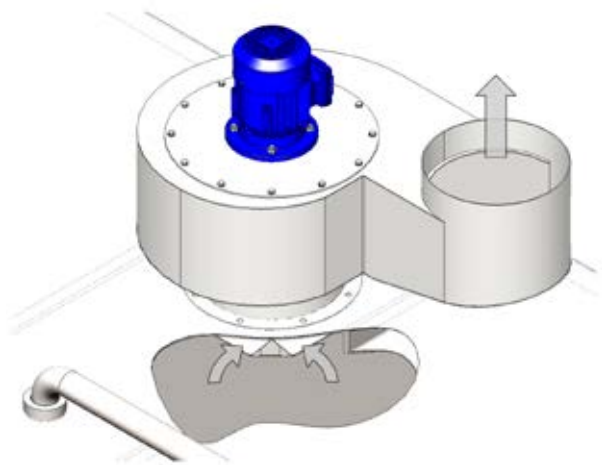
### Oil skimmer OS-3S

Controlled by a weekly timer, the oil skimmer removes the demulsified oil from the liquid surface while the cleaning machine is off. The oil skimmer extends the service life of the cleaning liquid and ensures a good cleaning result.



### Steam extractors DF-250S / DF-3S

The steam extractor starts automatically after cleaning and removes steam from the machine into the outside air. Amount of air: 1000/1800 m<sup>3</sup>/h, Pressure: 200/250 Pa

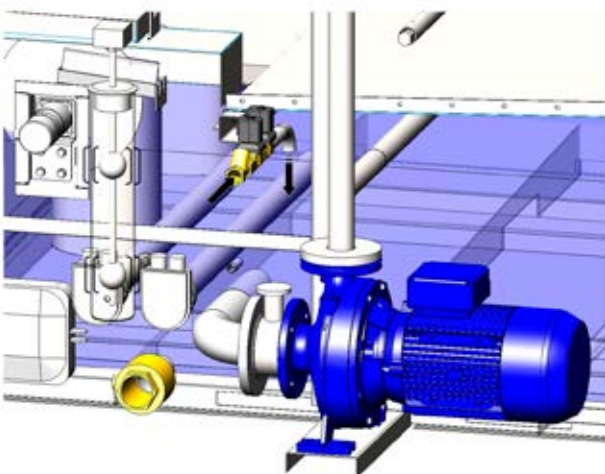


### Automatic refilling AR-2

The automatic water refilling keeps the level in the fluid tank at the standard height.

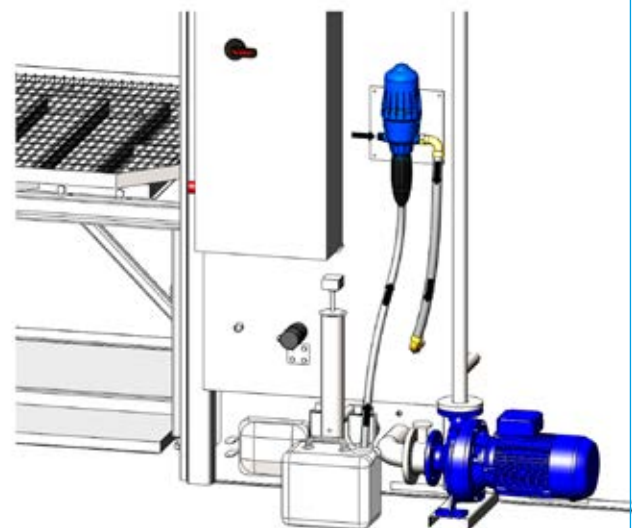
### Overfill protection EC-2

Prevents overfilling of the fluid tank.



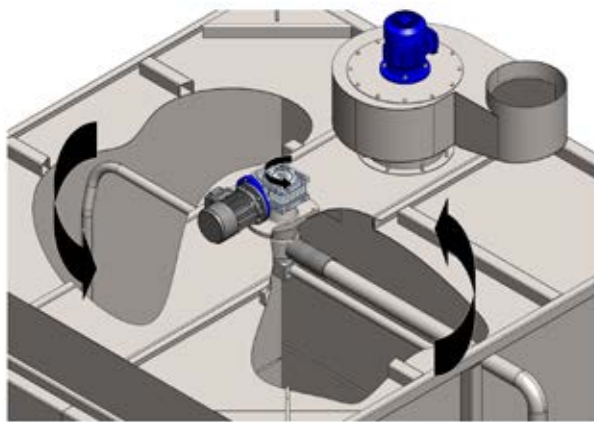
### Detergent dispenser AD-2

Automated dispenser for liquid detergent.



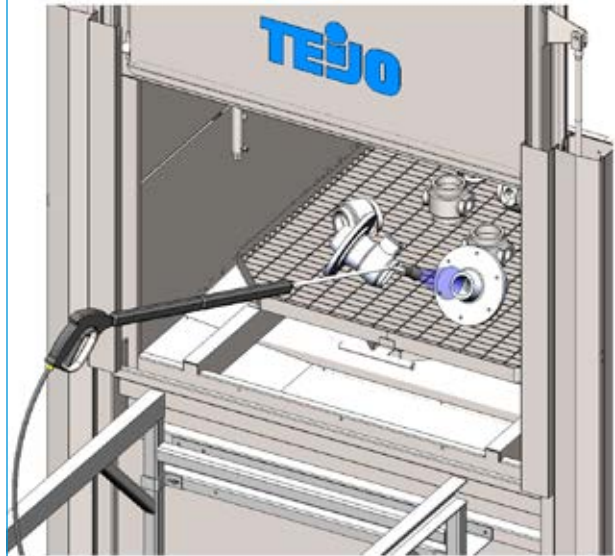
### Spray pipe mechanical rotation MR-1

The top spray pipe rotated by a motor ensures the best possible cleaning result.



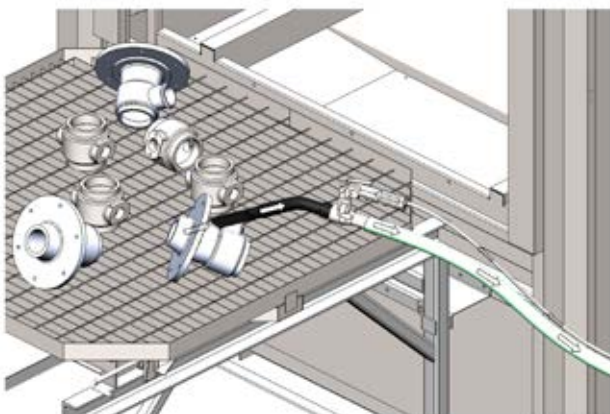
### Spray lance SL-1

for pre-cleaning parts that are very dirty.



### Suction gun SG-1

Suction gun for removing any liquid remains from the washed parts (components) after the cleaning cycle.



### Other accessories and equipment

- DRAINAGE PUMP
- FULL-FLOW FILTER
- SEPARATE FILTER FOR SHUNT (CURRENT) CIRCULATION
- POWERED FEEDING OF THE LOAD CARRIAGE (MIU/AIU)
- MAGNETIC ROD FOR THE FILTER BASKET
- SINGLE-USE FILTER BAG FOR THE FILTER BASKET
- VARIOUS ROLLER CONVEYORS AND CONVEYOR SYSTEMS AVAILABLE ON REQUEST
- INTEGRATED HOT AIR DRYERS
- MIST COLLECTORS FOR STEAM REMOVAL
- SAFETY BASIN BENEATH THE MACHINE



**TEIJO**®

Manufacturer: **TEIJO Pesukoneet Oy**

Harjuntie 8

29250 NAKKILA

FINLAND

Tel. +358 2 5312 200

Fax +358 2 5373 192

[www.teijopesu.fi](http://www.teijopesu.fi)

Marketing: